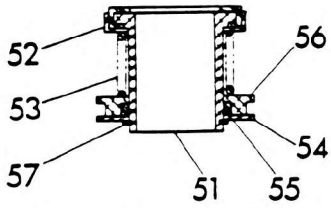
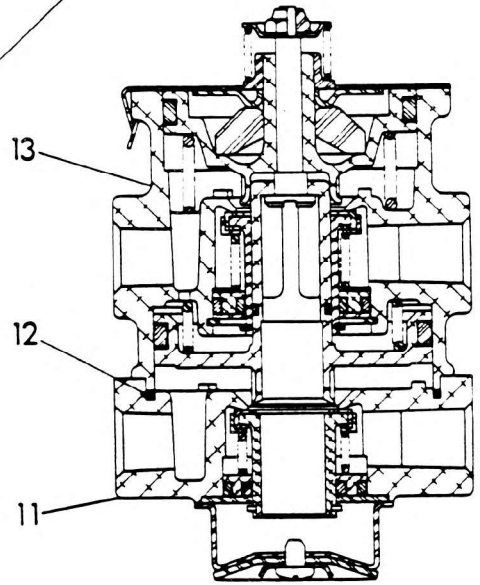
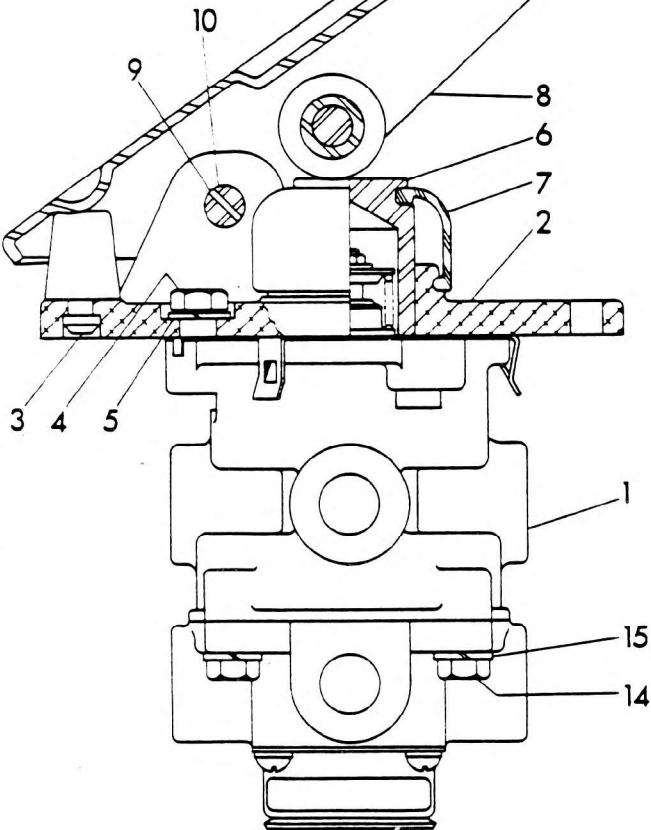


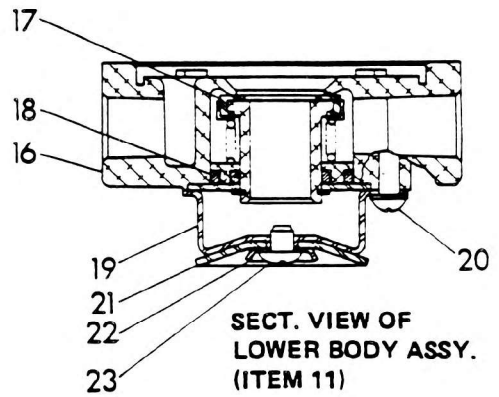
# GROVE



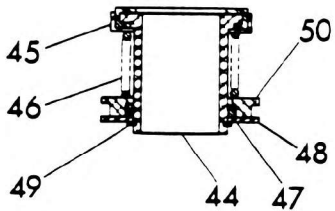
SECT. VIEW OF INLET & EXHAUST VALVE ASSY. (UPPER BODY, ITEM 25)



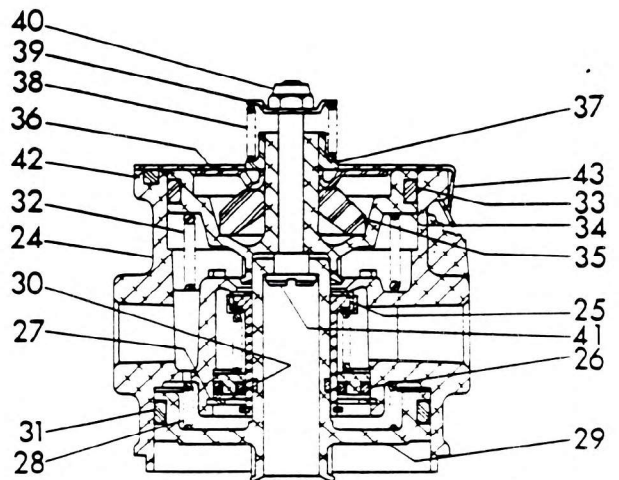
SECT. VIEW OF BRAKE VALVE (ITEM 1)



SECT. VIEW OF LOWER BODY ASSY. (ITEM 11)



SECT. VIEW OF INLET & EXHAUST VALVE ASSY. (LOWER BODY, ITEM 17)



SECT. VIEW OF UPPER BODY ASSY. (ITEM 13)